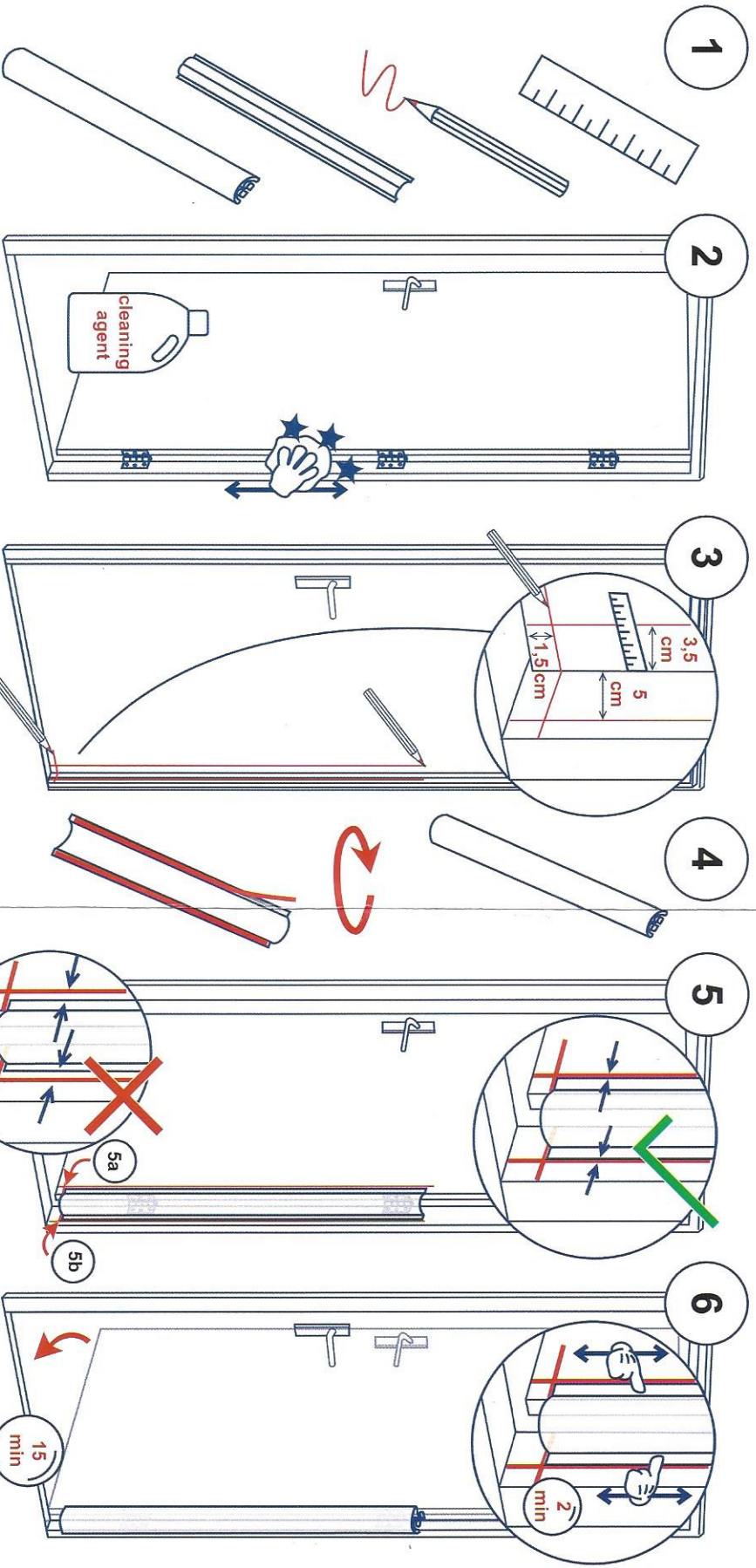


Instructions



!
The door strips can be applied to any flat surface (wood, plastic and metal) and easily cleaned with a damp cloth.

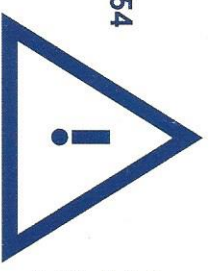
!
The strips can also be screwed into place through the grooves in the edging of the strips every 30 cm/12". If the door or doorframe has water-based paint the strips must be screwed into place.

!

Check the strips to ensure continued strong adhesion regularly at a minimum of every 3 months beginning the third month after installation.

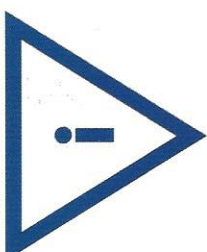
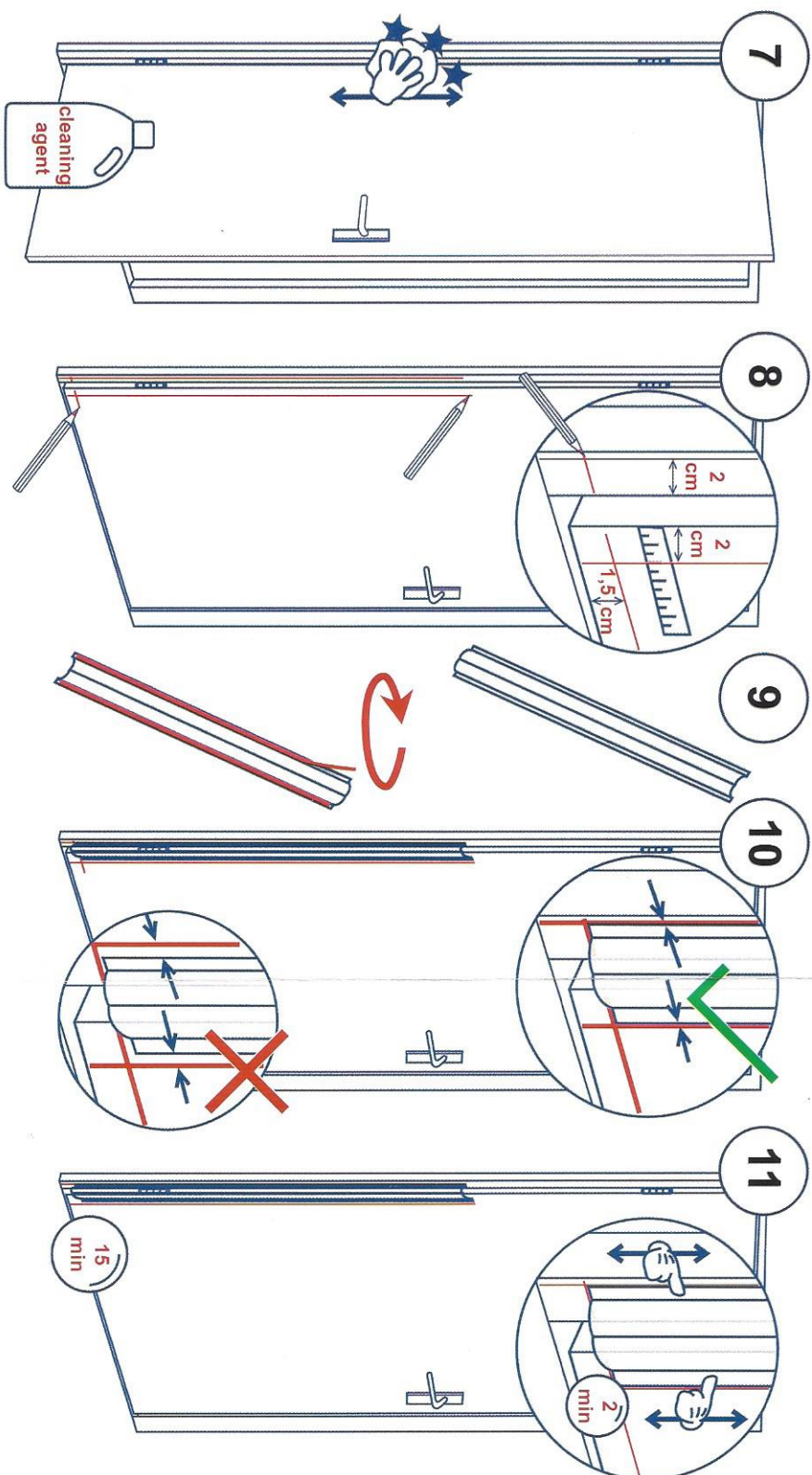
arte viva • **child safety**
Kindergartens and schools

Keulenaar 6b
3961 NM Wijk bij Duurstede
The Netherlands
T +31 (0)343 57 69 54
E info@arteviva.nl
I www.arteviva.nl

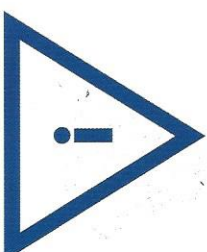


DISCLAIMER
Arte Viva BV shall not be responsible for any consequential, direct or indirect loss or damage suffered by any person or property, which is the result of a failure to install and/or use the strips as set forth in the above instructions, or based upon misuse, neglect or modification of the Finger Alert strips.

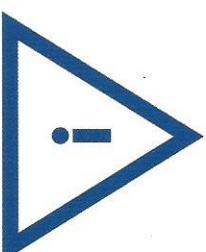
Instructions



Do not open doors fitted with Finger Alert strips more than 110°. It would be likely that the strip will tear off from the door.



Removing the adhesive strips may cause damage to surface finishes and paintwork. To prevent damage, the strips must be pulled off carefully, lengthwise, at a 90° angle from the door.



Install door stoppers if necessary to avoid damage to the door and doorframe.

